

**MODULAR**

LAB-2BH / LAB-3TH / SZM-B / SZM-T / SZN-B / SZN-T / SZP-6  
SZP-8 / SZP-10 / ST-150 / ST-151 / ST-152 / ST-153  
SZ-STL1H / SZ-STL2H / SZ-STL3Led / SZ-STL3 / SZ-STL4  
SZ-STL8 / ST-155 / ST-156

## MODULAR Series

Modular stereozoom microscopes for industry



MODULAR

## MODULAR Series - Heads

### SZP-6 Binocular parallel stereozoom head

30° inclined, 360° rotatable;  
WF10x/22mm high-point widefield eyepieces;  
Interpupillary distance: 52-75 mm;  
Dioptric adjustment: +/-5 dp;  
Objective: 1x;  
0,8x...5x zoom objective;  
Zoom ratio: 6:1;  
Working distance: 80 mm.



### SZP-8 Binocular parallel stereozoom head

30° inclined, 360° rotatable;  
WF10x/22mm high-point widefield eyepieces;  
Interpupillary distance: 52-75 mm;  
Dioptric adjustment: +/-5 dp;  
Objective: 1x;  
0,8x...6,4x zoom objective;  
Zoom ratio: 8:1;  
Working distance: 80 mm.



### SZP-10 Binocular parallel stereozoom head

30° inclined, 360° rotatable;  
WF10x/22mm high-point widefield eyepieces;  
Interpupillary distance: 52-75 mm;  
Dioptric adjustment: +/-5 dp;  
Objective: 1x;  
0,8x...8x zoom objective;  
Zoom ratio: 10:1;  
Working distance: 80 mm.

### SZP-ERGO HEAD

All models have a ergonomic head version



## MODULAR Series - Accessories

#### Eyepieces

ST-161	Eyepieces (pair) WF15x/15 mm
ST-162	Eyepieces (pair) WF20x/12 mm
ST-163	Eyepiece micrometric WF10x/22 mm

#### Objectives

ST-165	Objective 0,3x (w.d. 280 mm)
ST-166	Objective 0,5x (w.d. 165 mm)
ST-167	Objective 2x (w.d. 32,5 mm)

#### Photo & Video attachments and adapters

ST-170	Photo/Video beam splitter - 1 port
ST-171	Photo/Video beam splitter - 2 ports
ST-172	Iris diaphragm
ST-173	Asp-c Reflex camera adapter
ST-174	CCD camera adapter (for 1/3" sensors)
ST-175	CCD camera adapter (for 1/2" sensors)



## MODULAR Series - Stands

ST-150



**ST-150** Large plain stand with head holder and focusing mechanism. Pillar type. Base: 320x280mm. Pillar: Ø32x360mm.

ST-151



**ST-151** Large plain stand with head holder and focusing mechanism. LED trans-illuminator with intensity control. Pillar type. Base: 320x280mm. Pillar: Ø32x360mm.

ST-152



**ST-152** Large plain stand with head holder and focusing mechanism. Fixed arm type. Base: 320x280mm. Fixed arm: 360mm.

ST-153



**ST-153** Large plain stand with head holder and focusing mechanism. LED trans-illuminator with intensity control. Fixed arm type. Base: 320x280mm. Fixed arm: 360mm.

SZ-STL1H



**SZ-STL1H** Simple overhanging stand with head holder. Base dimensions: 230x230mm. Pillar: Ø32x380mm. Horizontal arm: 430mm.  
\* **Head not included**

SZ-STL2H



**SZ-STL2H** Hinged overhanging stand with head holder. Base dimensions: 260x210mm. Pillar: Ø32x380mm. Horizontal arm: 550mm.  
\* **Head not included**

# MODULAR Series - Stands



**SZ-STL8**

**SZ-STL8** Modern stand with small base. With 2 incident X-LED illuminators on flexible arms, and high brightness LED disc trans-illuminator (100mm Ø).



**ST-155**



**ST-155** Modern stand with large base. LED trans-illuminator and LED incident illuminator, both with intensity control. **\*Head not included.**

**ST-156** Modern stand with large base. LED trans-illuminator and LED incident illuminator, both with intensity control. Coaxial coarse and fine focusing system. **\*Head not included.**



**SZ-STL4**

h = 400mm

h: 50 ÷ 850mm

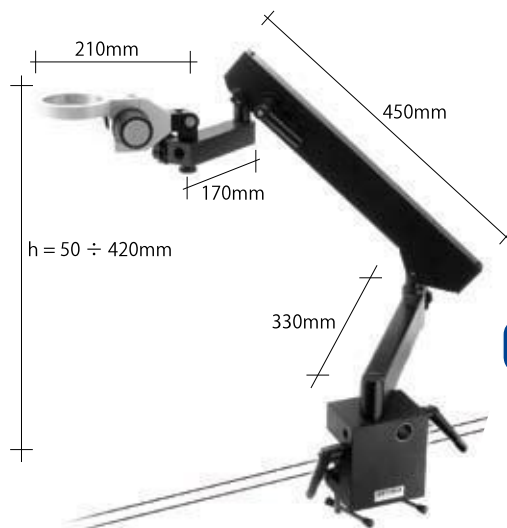
410mm

410mm



**SZ-STL3Led**

**SZ-STL3Led** Industrial stand, with table clamp and double X-LED illuminators on flexible arms. **\*Head not included.**



**SZ-STL3**

210mm

450mm

170mm

h = 50 ÷ 420mm

330mm

## OPTIKA SRL

Via Rigla, 30 - 24010 Ponteranica (BG) - ITALIA - Tel.: +39 035 571392 (6 linee r.a.) Fax: +39 035 571435 - info@optikamicroscopes.com

## M.A.D. IBERICA APARATOS CIENTIFICOS

c/. Puig i Pidemunt, nº 28 1º 2ª - (Pol. Ind. Plà d'en Boet) - 08302 - MATARO (Barcelona) España - Tel.: +34 937.586.245 Fax: +34 937.414.529

## ALPHA OPTIKA MICROSCOPES HUNGARY

2030 ÉRD, Kaktusz u. 22.- HUNGARY - Tel.: (23) 520-077 Fax: (23) 374-965